

# LED Solar Path Light

Compact In Design - Functional In Form



mjhollister & associates, llc  
A Sustainable Solutions Company

## Product Features

The LED Solar Path Light is an out of the box solar lighting solution that comes pre-assembled, is easy to install, and requires virtually no maintenance. It is a clean, renewable, lighting solution ideally suited for virtually any location that has no access to conventional power or where running conventional power would be cost prohibitive.

The LED Solar Path Light represents the next generation of solar powered LED lights with a long rated life that virtually eliminates ongoing maintenance expenses and provides significant operating cost benefits over the life of each system.

### Applications

- Ideal for site, area, and general lighting utilizing LED optical systems that provide high uniformity, excellent vertical light distribution, reduced offsite visibility, reduced onsite glare and effective security light levels.
- Typical applications include but are not limited to walking paths, jogging trails, sidewalks, docks, fence lines, and remote entrances.

### Housing & Bracketing

- Die-cast aluminum housing.
- Slim architectural fixture design incorporates heat sinking ensuring maximum heat transfer, long LED life and a reduced Effective Projected Area (EPA).
- Integrated LED lamping.
- 5052-H32 aluminum bracketing.

### LED & Optical Assembly

- Structured LED lamping for optimized area light photometric distribution.
- Integrated high efficiency drivers.
- Utilizes bright white LEDs, 70CRI @ 6200K.

### Lumen Maintenance

- LED rating of 50,000 hours.

### Ratings

- Solar module: UL, CE, IP 65, SA.
- Charge Controller: CE, RoHS.
- Battery: UR, CE.
- Connectors: UL, CE.
- Fittings: UL.
- Enclosure: UR, NEMA 4x.
- Temperature rated at -30° to 50°C.

### Run Time

- Dusk to Dawn

### Mounting and Installation

- Designed to mount to any standard 4 X 4 pressure treated wood post, eliminating the need for high cost specialty poles.
- Simple design allows for installation by a single technician in approximately one hour.

### Finish

- Durable baked on powder coat finish.
- Standard color: Dark Bronze.
- RAL and custom colors available.

### Electrical

- 12 VDC.

### Charge Controlling System

- PWM battery charging.
- Low Voltage Disconnect (LVD) battery protection.
- Temperature compensation.
- Automatic on/off time with automatic adjustment for seasonal changes.
- In-line protective fuse with LED fuse condition indicator.

### Solar Module

- Polycrystalline silicon cells.
- Tempered front glass.
- Anodized aluminum alloy frame.
- White PET back foil.

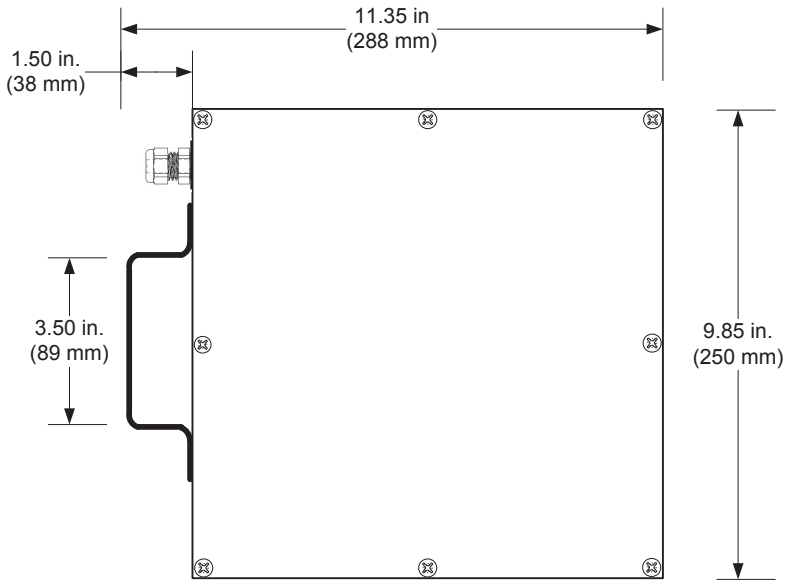
### Battery

- No maintenance, non-spillable, valve regulated, sealed lead acid.
- 4-day battery reserve.

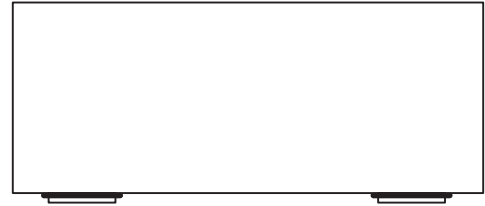
### Warranty

- 2-year limited system warranty standard.

## Product Dimensions



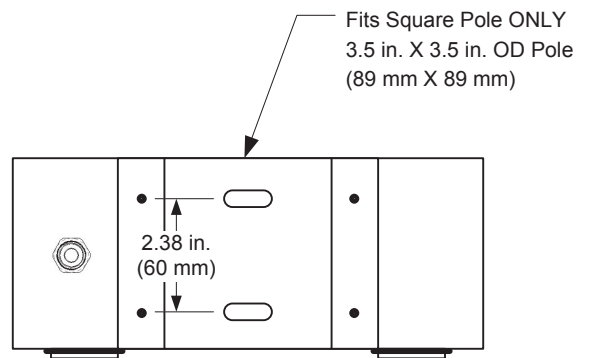
TOP VIEW



FRONT VIEW



SIDE VIEW

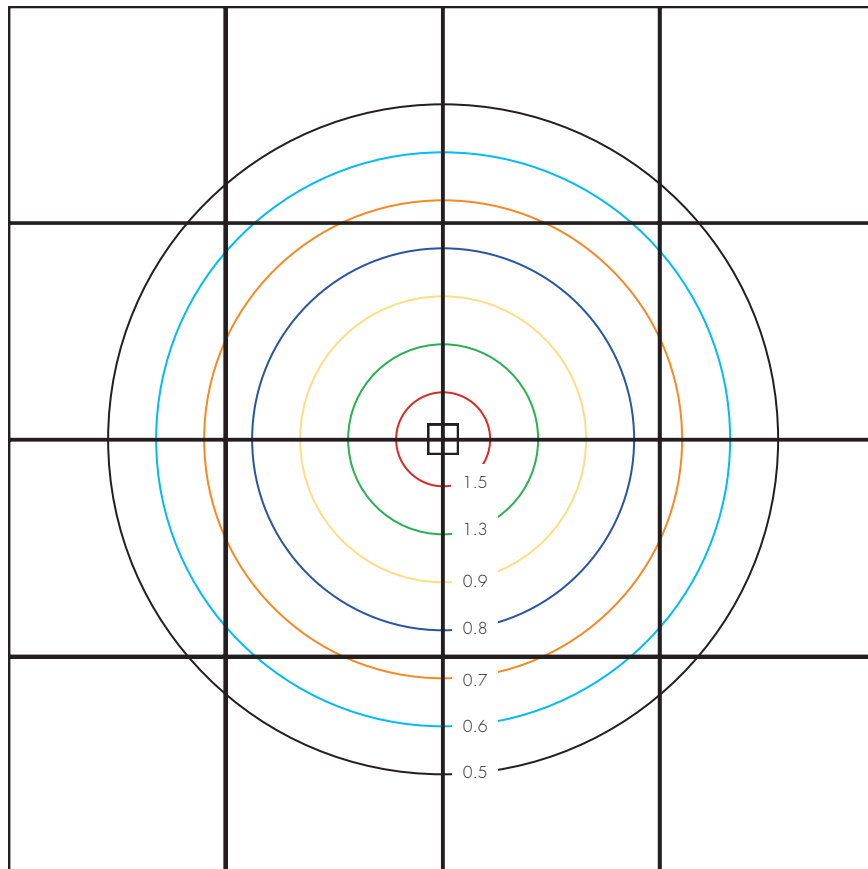


BACK VIEW

DATA	Component	Effective Projected Area (EPA)	Weight
	Fixture	0.32 sq. ft. (0.030 m <sup>2</sup> )	20 lb. (6.3 kg)
	20W Solar Module	1.47 sq. ft. (0.137 m <sup>2</sup> )	7 lb. (3.2 kg)
	30W Solar Module	2.08 sq. ft. (0.193 m <sup>2</sup> )	9 lb. (4.1 kg)

# Photometrics

## Type V - Symmetric



Grid Distance in Units of Mounting Height  
Mounting Height at 9'  
Initial Footcandle Values at Grade